

Replacement Parts List • Teileliste • Liste des pièces de rechange • Elenco dei ricambi

| Part # | English | Deutsch | Français | Italiano |
|-----------|--|---|---|--|
| LOS4114 | 48 Pitch Pinion Gear, 14T | | Pignon moteur 48DP, 14T | 48 Pitch pignone, 14T |
| TLR255002 | Button Head Screws, M2.5x10mm (10) | Halbrundschrauben, M2,5x10mm (10) | Vis à tête bombée, M2,5x10mm (10) | Viti a testa tonda, M2.5x10mm (10) |
| TLR255006 | Button Head Screws, M4x10mm (10) | Halbrundschrauben, M4x10mm (10) | Vis à tête bombée, M4x10mm (10) | Viti a testa tonda, M4x10mm (10) |
| TLR5903 | Button Head Screws, M3 x 10mm (10) | Halbrundschrauben, M3x10mm (10) | Vis à tête bombée, M3x10mm (10) | Viti a testa tonda, M3 x 10mm (10) |
| TLR5904 | Button Head Screws, M3 x 12mm (10) | Halbrundschrauben, M3x12mm (10) | Vis à tête bombée, M3x12mm (10) | Viti a testa tonda, M3 x 12mm (10) |
| TLR5909 | Button Head Screws, M3 x 16mm (10) | Halbrundschrauben, M3x16mm (10) | Vis à tête bombée, M3x16mm (10) | Viti a testa tonda, M3 x 16mm (10) |
| TLR5962 | Flathead Screws, M3 x 10mm (10) | Flachkopfschrauben, M3 x 10mm (10) | Vis à tête plate, M3x10mm (10) | Viti a testa piatta, M3 x 10mm (10) |
| TLR5964 | Flathead Screw, M3 x 16mm (10) | Flachkopfschrauben, M3 x 16mm (10) | Vis à tête plate, M3x16mm (10) | Viti a testa piatta, M3 x 16mm (10) |
| VTR230055 | Ascender Roll Cage Set w/Alum panels (290mm) | Ascender Roll Cage Set mit Alu-Verkleidung (290mm) | Arceau cage Ascender avec panneaux alu (290mm) | Set gabbia antiribaltamento Ascender Set c/pannelli allum. (290mm) |
| VTR230056 | 1972 Chevrolet K10 Pickup Cab Set Clear: ASN | 1972 Chevrolet K10 Pickup Cab Set transparent: ASN | ASN - Carrosserie transparente 1972 Chevrolet K10 Pickup | Set cabina trasparente 1972 Chevrolet K10 Pickup: ASN |
| VTR231024 | Battery Strap & Pivot: Hal | Akkuhalter: Hal | Hal - Support de batterie avec pivots | Nastro batteria e perno: Hal |
| VTR231033 | Chassis Frame Rail Set: ASN | Baugruppe Chassisrahmenschiene: ASN | ASN - Set de longerons de châssis | Set rotaie telaio: ASN |
| VTR231034 | Chassis Brace Set: ASN | Chassisstrebe Set: ASN | ASN - Set de renforts de châssis | Set supporto telaio: ASN |
| VTR231035 | Shock Tower Set FR/RR: ASN | Stoßdämpferbrücke Set v/h: ASN | ASN - Support d'amortisseur Av/Arr | Set torre ammort: ASN |
| VTR231036 | Bumper Set FR/RR: ASN | Stoßstangenset v/h: ASN | ASN - Set de parechoc Av/Arr | Set paraurti FR/RR: ASN |
| VTR231037 | Receiver Box & ESC Tray: ASN | Empfängerbox & Reglerhalter: ASN | ASN - Boîte de récepteur et platine de contrôleur | Sede scatola ricevente ed ESC: ASN |
| VTR231038 | Battery Tray, Mounts & Strap: ASN | Batterieeinschub, -träger & -lasche: ASN | ASN - Support de batterie, fixations et sangles | Sede batteria, supporti e cinghia: ASN |
| VTR232001 | Transmission Case: Twin Hammers | Getriebegehäuse: Twin Hammers | Twin Hammers - Boîtier de transmission | Scatola trasmissione: Twin Hammers |
| VTR232013 | Drive Shaft Yoke, Cup & Hardware (1): Twin Hammers | Antriebswellenmitnehmer und Zubehör (1): Twin Hammers | Twin Hammers - Coupelle de cardan avec croisillon et visserie (1) | Giogo albero trasm., coppa e viteria (1): Twin Hammers |
| VTR232017 | Transmission Shaft Set: Twin Hammers | Antriebswellenset: Twin Hammers | Twin Hammers - Set d'arbres de transmission | Set albero trasmissione: Twin Hammers |
| VTR232024 | Slipper Pads (2): Twin Hammers | Slipper Pads (2): Twin Hammers | Twin Hammers - Garnitures de slipper (2) | Pastiglie slipper (2): Twin Hammers |
| VTR232026 | Slipper Spring, Cup, Spacer & Washer | Slipperfeder, Außenring, Distanzscheibe & Unterlegscheibe: TH ASN | Rondelle, entretoise, ressort et coupelle de slipper | Molla, coppa, distanziale e rondelle slipper |
| VTR232067 | Motor Plate, Gear Cover & Hdw: ASN | Motorplatte, Getriebeabdeckung & Hdw: ASN | ASN - Support moteur, carter de transmission et visserie | Piastra motore, copertura ingran. e viteria: ASN |
| VTR232068 | Center Transmission Gear Set & Spacers: ASN | Zentralgetriebe Set & Distanzscheiben: ASN | ASN - Set de pignons de transmission centrale et entretoises | Set albero trasmissione centrale e distanziali: ASN |
| VTR232069 | Spur Gear, 86T, 48P (2) | Hauptzahnrad, 87T, 48P (2) | Couronne 82T, 48p (2) | Corona, 86T, 48P (2) |
| VTR232072 | Input Drive Shaft Yoke, Cup & Hdw (1): ASN | Antriebswellengabel, Außenring, Distanzscheibe & Hdw (1): ASN | ASN - Tête de cardan, coupelle et accessoires | Giogo albero ingresso, coppa e viteria: ASN |
| VTR232073 | Spool 24T & Pinion Gear 13T: ASN | Spule 24T & Zahngetriebe 13T: ASN | ASN - Spool 24T et pignon 13T | Rocchetto 24T e pignone 13T: ASN |
| VTR232074 | Axle Housing & Link Mount Set FR/RR: ASN | Set Achsgehäuse & Befestigungspunkte v/h: ASN | ASN - Corps de pont et fixations Av/Arr | Sede albero e set supporto link: ASN |
| VTR232075 | Diff Cover & Diff Skid Plate Set FR/RR: ASN | Set Differentialabdeckung & Differentialgleitplatte FR/RR: ASN | ASN - Couvercle de différentiel et plaque de protection Av/Arr | Copertura diff. e set piastra pattino diff.: ASN |
| VTR232076 | Front CV Shaft Set: ASN | CV Antriebswellenset vorne: ASN | ASN - Set de cardans CV avant | Set albero CV anteriore: ASN |
| VTR232077 | Wheel Hex, Pins & Serrated Lock Nut: ASN (4) | Radmuttern, Stifte und Stoppmuttern (4): ASN | ASN - Goupilles, hexagones et écrous de roues (4) | Esagoni ruote, perni e dado autobloccante dentellato: ASN (4) |
| VTR232078 | Axle Shafts Rear (2): ASN | Achswellen Heck (2): ASN | ASN - Axe de roue Arr (2) | Asse albero posteriore: ASN |
| VTR232079 | HD Molded Center Dsft Set Short/Long: ASN | HD Antriebswelle Mitte, kurz/lang: ASN | Ascender - Cardan central moulé renforcé Court/Long | Set HD centrale stampato corto/longo: Ascender |
| VTR232080 | HD Pinion Drive Gear 13T (2) | Antriebsritzel HD 13T (2) | Pignon renforcé 13T (2) | Pignone HD 13T (2) |
| VTR233026 | Shock Shaft & Piston Set (4): ASN | Set Kolbenstange & Kolben (4): ASN | ASN - Set de tige d'amortisseur et de piston (4) | Set pistone e albero ammort. (4): ASN |
| VTR233027 | Shock Body, Adj Collar, Upper & Lower Cap (4): ASN | Gehäuse, Einstellmanschette, obere & untere Kappe (4): ASN | ASN - Corps d'amortisseur, bague de réglage et bouchons inf. et sup. (4) | Corpo ammort., collare regol., copertura infer./super. (4): ASN |
| VTR233028 | Shock End,Cup,Rubber Stop & Mid Collar (4): ASN | Stoßdämpferende, Außenring, Anschlaggummi & Mittelmanschette (4): ASN | ASN - Chape d'amortisseur, coupelle, butée caoutchouc, bouchon inf. et sup. (4) | Terminale ammort., coppa, fermo in gomma e collare medio (4): ASN |
| VTR233029 | Upper Shock Spring Set Soft, Med, Hard (2ea.): ASN | Set obere Stoßdämpferfeder weich, medium, hart (2ea.): ASN | ASN - Set de ressorts supérieurs, souple, moyen, dur (2 de chaque) | Set molla super. ammort. morbida, media, dura: ASN |
| VTR233030 | Lower Shock Spring Set Soft, Med, Hard (2ea.): ASN | Set untere Stoßdämpferfeder weich, medium, hart (2ea.): ASN | ASN - Set de ressorts inférieurs, souple, moyen, dur (2 de chaque) | Set molla infer. ammort. morbida, media, dura: ASN |
| VTR234025 | Steering Spindle & Hub Set FR/RR: ASN | Set Lenkspindel & Träger (v/h): ASN | ASN - Set de fusées et étriers Av/Arr | Set fuso sterzo e mozzo: ASN |
| VTR234026 | Steering Linkage Set: ASN | Set Lenkgestänge: ASN | ASN - Tringlerie de direction | Set comandi sterzo: ASN |
| VTR234027 | Suspension Rod Ends: ASN | Kugelpfannenaufhängung: ASN | ASN - Chapes de suspension | Estremità asta sospensione: ASN |
| VTR234028 | 3mm Threaded Alum. Link, 61mm (4) | 3mm Aluminiumgewinde, 61mm (4) | Biellette aluminium M3, 61mm (4) | Collegamento filettato allum. 3mm, 61mm (4) |
| VTR234029 | 3mm Threaded Aluminum Link, 66mm (4) | 3mm Aluminiumgewinde, 66mm (4) | Biellette aluminium M3, 66mm (4) | Collegamento filettato allum. 3mm, 66mm (4) |
| VTR234030 | Link Spacers, Aluminum, 3x6x12mm (8) | Abstandshalter, Aluminium, 3x6x12mm (8) | Entretoises en aluminium 3x6x12mm (8) | Distanziali link allum., 3x6x12mm (8) |
| VTR235009 | M2 x 20mm Cap Head Screw (10) | Innensechskantschrauben M2x20mm (10) | Vis BTR M2x20mm (10) | M2 x 20mm vite a brugola (10) |

Replacement Parts List • Teileliste • Liste des pièces de rechange • Elenco dei ricambi

| Part # | English | Deutsch | Français | Italiano |
|-----------|--|--|--|--|
| VTR235014 | M2.5 x 10mm Cap Head Screw (10) | Innensechskantschrauben M2.5x10mm (10) | Vis BTR M2,5x10mm (10) | M2.5 x 10mm vite a brugola (10) |
| VTR235025 | M3 x 8mm Cap Head Screw (10) | Innensechskantschrauben M3x8mm (10) | Vis BTR M3x8mm (10) | M3 x 8mm vite a brugola (10) |
| VTR235035 | M3 x 30mm, Cap Head Screw (10) | Innensechskantschrauben M3x30mm (10) | Vis BTR M3x30mm (10) | M3 x 30mm, vite a brugola (10) |
| VTR235113 | M3 x 25mm Button Head Screw (10) | Halbrundschraben, M3x25mm (10) | Vis à tête bombée M3x25mm (10) | M3 x 25mm vite a testa tonda (10) |
| VTR235114 | M3 x 30mm, Button Head Screw (10) | Halbrundschraben, M3x30mm (10) | Vis à tête bombée M3x30mm (10) | M3 x 30mm, vite a testa tonda (10) |
| VTR235174 | M3 x 6mm Flat Head Screw (10) | Flachkopfschrauben, M3x6mm (10) | Vis à tête fraisée M3x6mm (10) | M3 x 6mm vite a testa piatta (10) |
| VTR235223 | M2.8 x 14mm Cap Head Screw Self-Tapping (10) | M2.8 x 14mm Innensechskantschrauben selbstschneidend (10) | Vis auto-taraudeuse M2,8x14mm (10) | M2.8 x 14mm vite a brugola autofilet-tante (10) |
| VTR235320 | M3 x 3mm Cup Point Setscrew (10) | Ringschneide Gewindestift M3x3mm (10) | Vis sans tête M3x3mm (10) | M3 x 3mm grano c7punta a tazza (10) |
| VTR235322 | M3 x 5mm Cup Point Setscrew (10) | Ringschneide Gewindestift M3x5mm (10) | Vis sans tête M3x5mm (10) | M3 x 5mm grano c7punta a tazza (10) |
| VTR235328 | M3 x 20mm, Cup Point Set Screw (10) | Ringschneide Gewindestift M3x20mm (10) | Vis sans tête M3x20mm (10) | M3 x 20mm, grano c7punta a tazza (10) |
| VTR235330 | M3 x 30mm, Cup Point Set Screw (10) | Ringschneide Gewindestift M3x30mm (10) | Vis sans tête M3x30mm (10) | M3 x 30mm, grano c7punta a tazza (10) |
| VTR236012 | M2 Nylock Nut (10) | M2 Muttern Nylock (10) | Ecrou auto-freiné M2 (10) | M2 dado autobloccante (10) |
| VTR236014 | M3 Nylock Nut (10) | M3 Muttern Nylock (10) | Ecrou auto-freiné M3 (10) | M3 dado autobloccante (10) |
| VTR236046 | M4 Nylock Flanged Serrated Nut (10) | M4 Muttern Nylock angeflanscht gezackt (1) | Ecrou frein M4 épaulé strié (10) | M4 dado autobloccante flangia dentellata (10) |
| VTR236137 | E-Clip, 5mm (10) | E-Clip, 5mm (10) | E-clips 5mm (10) | E-Clip, 5mm (10) |
| VTR237003 | 4mm x 8mm x 3mm Ball Bearing (2) | 4mmx8mmx3mm Kugellager (2) | Roulement 4x8x3mm (2) | 4mm x 8mm x 3mm cuscinetto (2) |
| VTR237004 | 5mm x 10mm x 4mm Ball Bearing (2) | 5mmx10mmx4mm Kugellager (2) | Roulement 5x10x4mm (2) | 5mm x 10mm x 4mm cuscinetto (2) |
| VTR237009 | 5mm x 13mm x 4mm Ball Bearing (2) | 5mmx13mmx4mm Kugellager (2) | Roulement 5x13x4mm (2) | 5mm x 13mm x 4mm cuscinetto (2) |
| VTR237014 | 6mm x 12mm x 4mm Ball Bearing (2) | 6mmx12mmx4mm Kugellager (2) | Roulement 6x12x4mm (2) | 6mm x 12mm x 4mm cuscinetto (2) |
| VTR237020 | 8mm x 14mm x 4mm Ball Bearing (2) | 8mmx14mmx4mm Kugellager (2) | Roulement 8x14x4mm (2) | 8mm x 14mm x 4mm cuscinetto (2) |
| VTR237028 | 10mm x 15mm x 4mm, Nylon Retainer Ball Bearing (2) | 10mm x 15mm x 4mm, Kugellager, gekapselt (2) | Roulement cage nylon 10x15x4mm (2) | 10mm x 15mm x 4mm, cuscinetto c/fermo in nylon (2) |
| VTR243010 | O-Ring, Bleeder Screw (4): Glamis Uno, Fear, Hal, Rap, Ral | O-Ring, Entlüftungsschraube (4): Glamis Uno, Fear, Hal, Rap, Ral | Glamis Uno, Fear, Hal, Rap, Ral - Joint torique de vis de purge d'amortisseurs (4) | O-ring, vite sfiato (4): Glamis Uno, Fear, Hal, Rap, Ral |
| VTR246005 | Flanged Pivot Ball, 5.8mm x 3mm x 7mm (10) | Kugelkopf mit Flansch, 5,8mm x 3mm x 7mm (10) | Rotules épaulées 5,8x3x7mm (10) | Sfera perno flangiato, 5.8mm x 3mm x 7mm (10) |
| VTR43047 | Wheel FR/RR Ascender 8 Spoke 1.9" Set Chrome (4) | Set Räder (v/h) Ascender, 8 Speichen 1,9", Chrom (4) | Jante Av/Arr Ascender 8 bâtons 1,9" chromée (4) | Ruota FR/RR Ascender 8 Spoke 1.9" Set Chrome (4) |

Optional Parts List • Optionale Bauteile • Pièces optionnelles • Pezzi opzionali

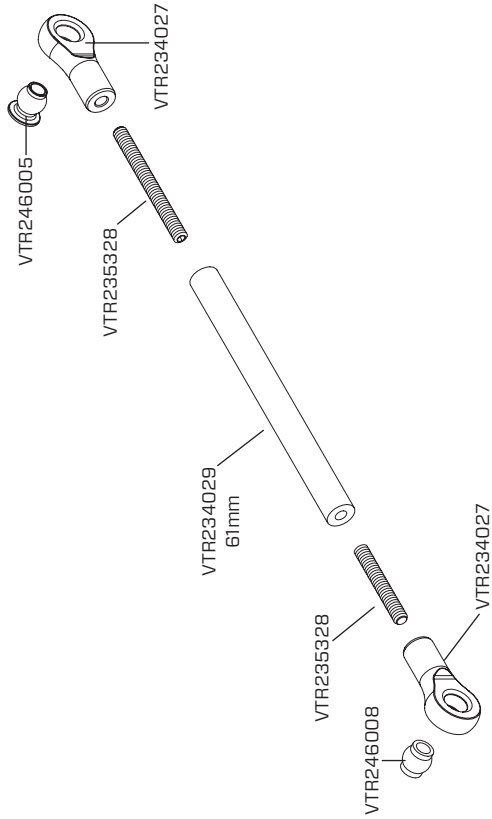
| Part # | English | Deutsch | Français | Italiano |
|------------|---|---|---|--|
| DYNB3800EC | Reaction 7.4V 4000mAh 2S 50C LiPo, Hardcase: 96mm | Reaction 7.4V 4000mAh 2S 50C LiPo: Hardcase mit EC3 Anschluss | Batterie Reaction Li-Po 2S 7,4V 4000mA 50C, boîtier rigide, câbles 96mm | Scatola rigida Reaction 7.4V 4000mAh 2S 50C LiPo: 96mm |
| DYNC2010CA | Prophet Sport Plus 50W AC/DC Charger | Prophet Sport Plus Li-Po 50W AC/DC Ladegerät | Chargeur Prophet Sport Plus 50W AC/DC | Caricatore Prophet Sport Plus 50W AC/DC |
| VTR232007 | Transmission Shift Linkage Set: Twin Hammers | Getriebeschaltgestänge Set: Twin Hammers | Twin Hammers - Tringlerie de changement de vitesse | Set comando cambio: Twin Hammers |
| VTR232008 | High- & Low-Speed Gear Set: Twin Hammers | Vaterra Zwei-Gang-Getriebe Set: Twin Hammers | Twin Hammers - Set de pignons petite et grande vitesse | Set ingranaggi alta e bassa velocità: Twin Hammers |
| VTR232009 | Transmission Shift Fork & Shaft: Twin Hammers | Getriebeschaltgabel & Shaft: Twin Hammers | Twin Hammers - Fourchette et axe de changement de vitesse | Forcella e albero cambio: Twin Hammers |
| VTR232017 | Transmission Shaft Set: Twin Hammers | Antriebswelle: Twin Hammers | Twin Hammers - Set d'arbres de transmission | Set albero trasmissione: Twin Hammers |
| VTR331008 | Battery Tray Mounts, Alum: ASN | Batteriefachhalterungen, Alu: ASN | ASCN - Fixations de support de batterie en aluminium | Supporti sede batteria, Alum: ASN |
| VTR331009 | Winch Fair Lead, Alum: ASN | Windenhalter, Alu: ASN | ASCN - Passe câble de treuil en aluminium | Passacavo verricello, Alum: ASN |
| VTR331010 | Steering Servo Horn, 23T, Alum: ASN | Lenkservohorn, 23T, Alu: ASN | ASCN - Bras de servo de direction 23T en aluminium | Squadretta servo sterzo, 23T, Alum: ASN |
| VTR331011 | Steering Servo Horn, 24T, Alum: ASN | Lenkservohorn, 24T, Alu: ASN | ASCN - Bras de servo de direction 24T en aluminium | Squadretta servo sterzo, 24T, Alum: ASN |
| VTR331012 | Steering Servo Horn, 25T, Alum: ASN | Lenkservohorn, 25T, Alu: ASN | ASCN - Bras de servo de direction 25T en aluminium | Squadretta servo sterzo, 25T, Alum: ASN |
| VTR332009 | Transmission Metal Gear Set: Twin Hammers | Metallgetriebeset: Twin Hammers | Twin Hammers - Set de pignons métal de transmission | Set ingranaggi metallo trasmissione: Twin Hammers |
| VTR334017 | Adjustable Coilover Shocks, Alum (2): ASN | Alu-Stoßdämpfer, einstellbar (2): ASN | ASCN - Amortisseurs réglables en aluminium (2) | Molla regolabile ammortizzatori, Alum (2): ASN |
| VTR334018 | Front Spindle Set, Alum: ASN | Lenkhebelset vorne, Alu: ASN | ASCN - Set de fusées avant en aluminium | Set fuso anteriore, Alum: ASN |
| VTR334019 | Front Carrier Set, Alum: ASN | Trägerset vorne, Alu: ASN | ASCN - Set d'étriers avant en aluminium | Set guida anteriore, Alum: ASN |
| VTR334020 | Rear Hub Carrier, Alum: ASN | Radträgerset hinten, Alu: ASN | ASCN - Set d'étriers arrière en aluminium | Guida mozzo posteriore, Alum: ASN |
| VTR334021 | Brake Caliper/Rotor Weight, Brass (2): ASN | Brems-/Rotorgewicht, Messing (2): ASN | ASCN - Disque de frein/étrier lesté (2) | Pinza freno/peso rotore, ottone (2): ASN |
| VTR334022 | One Piece Lower Link, Alum, 66mm (2): ASN | Anlenkung unten, einteilig, Alu, 66mm (2): ASN | ASCN - Tirant en une seule partie en aluminium 66mm (2) | Braccetto inferiore un pezzo, allum., 66mm (2): ASN |
| VTR334023 | One Piece Lower Link, Alum, 78mm (2): ASN | Anlenkung unten, einteilig, Alu, 78mm (2): ASN | ASCN - Tirant en une seule partie en aluminium 78mm (2) | Braccetto inferiore un pezzo, allum., 78mm (2): ASN |
| VTR334024 | One Piece Lower Link, Alum, 90mm (2): ASN | Anlenkung unten, einteilig, Alu, 90mm (2): ASN | ASCN - Tirant en une seule partie en aluminium 90mm (2) | Braccetto inferiore un pezzo, allum., 90mm (2): ASN |

FRONT UPPER LINK ASSEMBLY - WB2 (290mm)

MONTAGE QUERLENKERARM VORNE OBEN - WB2 (290mm)

ASSEMBLAGE DES TIRANTS SUPÉRIEURS AVANT - WB2 (290mm)

GRUPPO BRACCETTO SUPERIORE SOSPENSIONE ANTERIORE - WB2 (290mm)

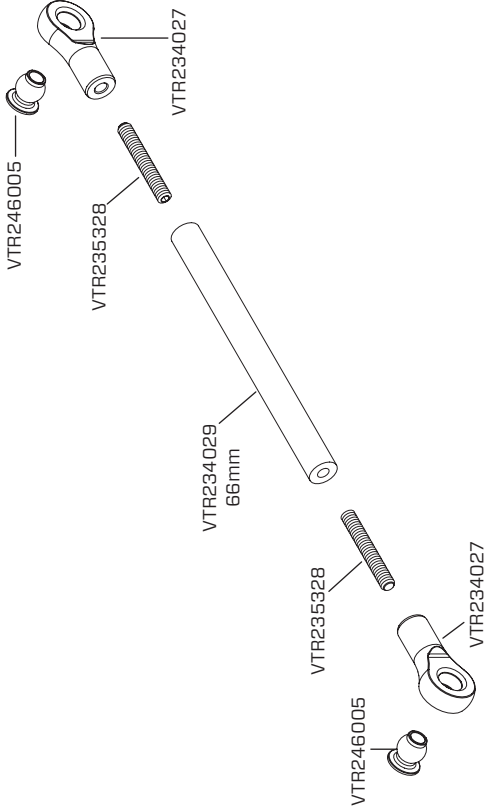


FRONT LOWER LINK ASSEMBLY - WB2 (290mm)

MONTAGE QUERLENKERARM VORNE UNTEN - WB2 (290mm)

ASSEMBLAGE DES TIRANTS INFÉRIEURS AVANT - WB2 (290mm)

GRUPPO BRACCETTO INFERIORE SOSPENSIONE ANTERIORE - WB2 (290mm)

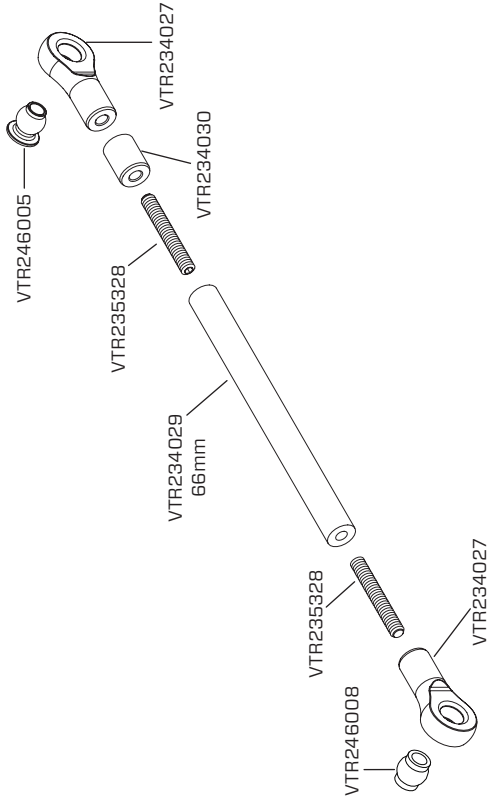


REAR UPPER LINK ASSEMBLY - WB2 (290mm)

MONTAGE QUERLENKERARM HINTEN UNTEN - WB2 (290mm)

ASSEMBLAGE DES TIRANTS SUPÉRIEURS ARRIÈRE - WB2 (290mm)

GRUPPO BRACCETTO SUPERIORE SOSPENSIONE POSTERIORE - WB2 (290mm)

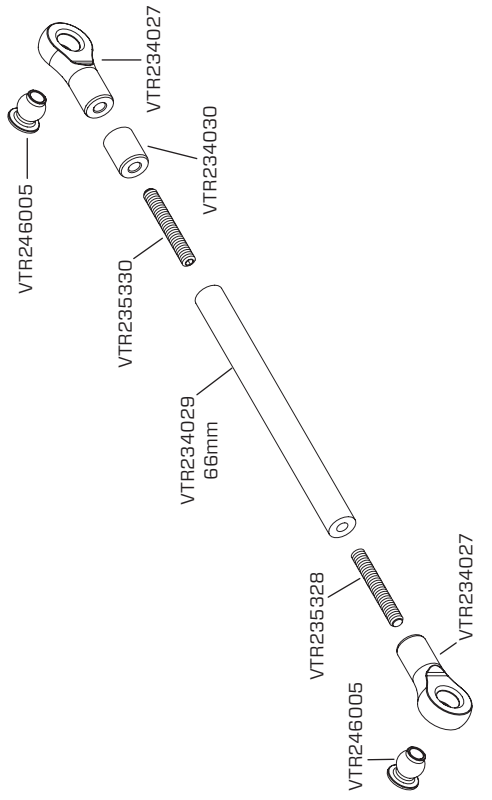


REAR LOWER LINK ASSEMBLY - WB2 (290mm)

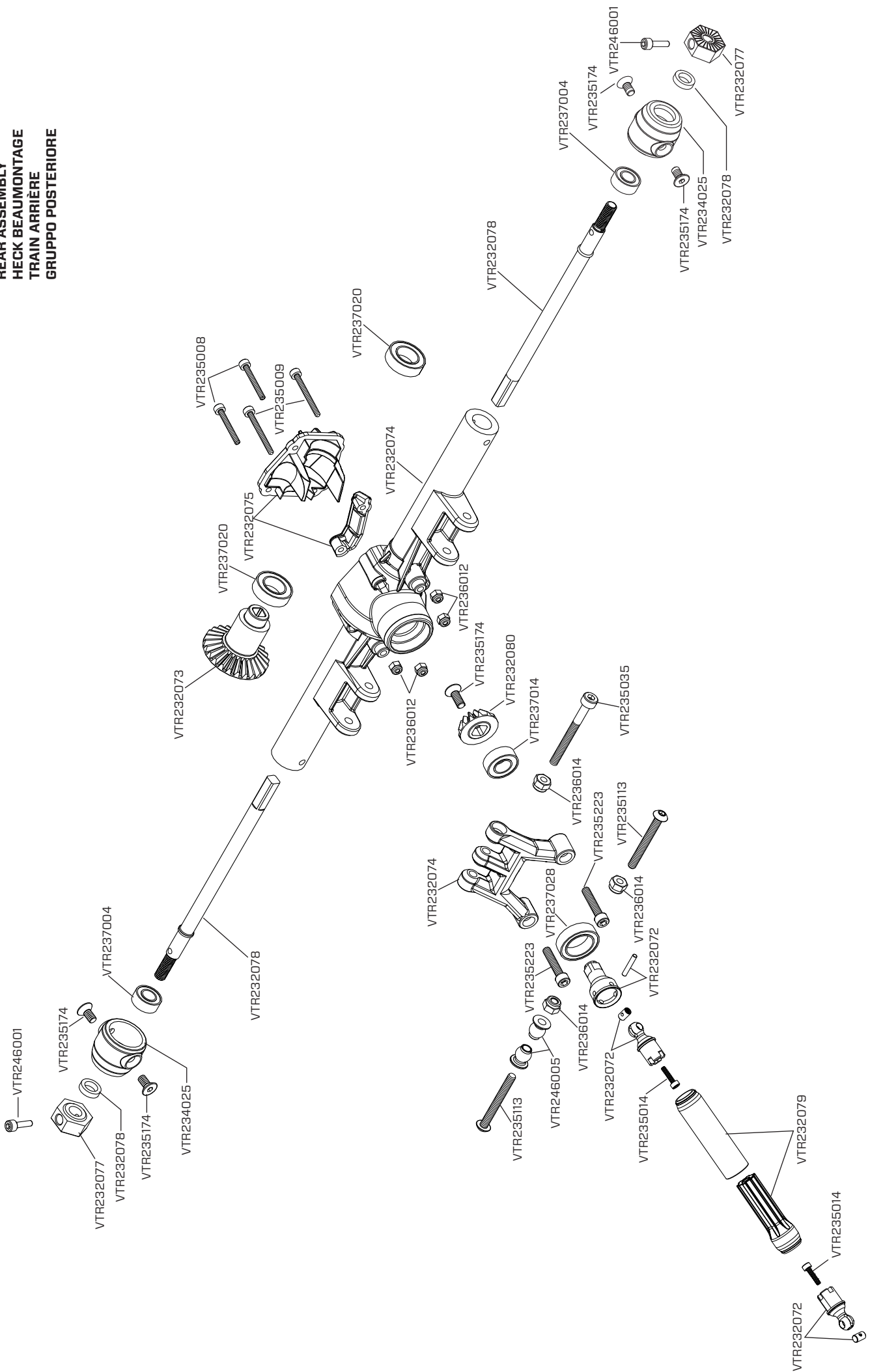
MONTAGE QUERLENKERARM HINTEN UNTEN - WB2 (290mm)

ASSEMBLAGE DES TIRANTS INFÉRIEURS ARRIÈRE - WB2 (290mm)

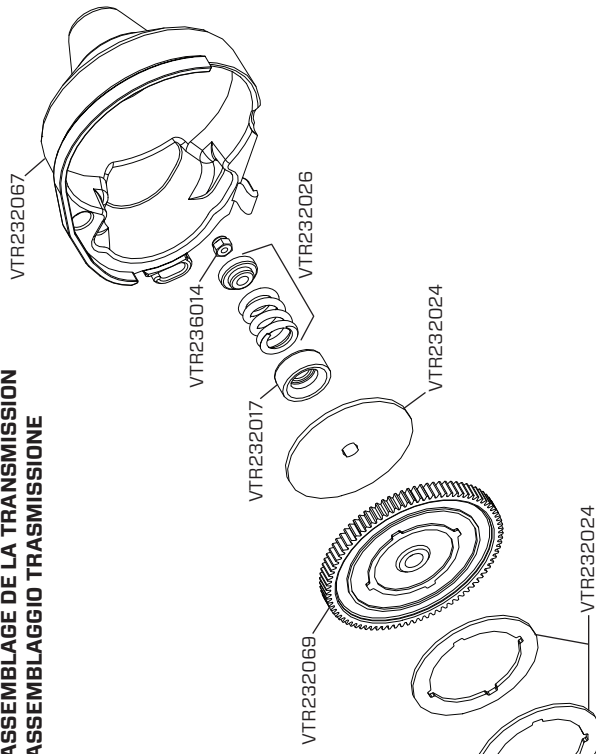
GRUPPO BRACCETTO INFERIORE SOSPENSIONE POSTERIORE - WB2 (290mm)



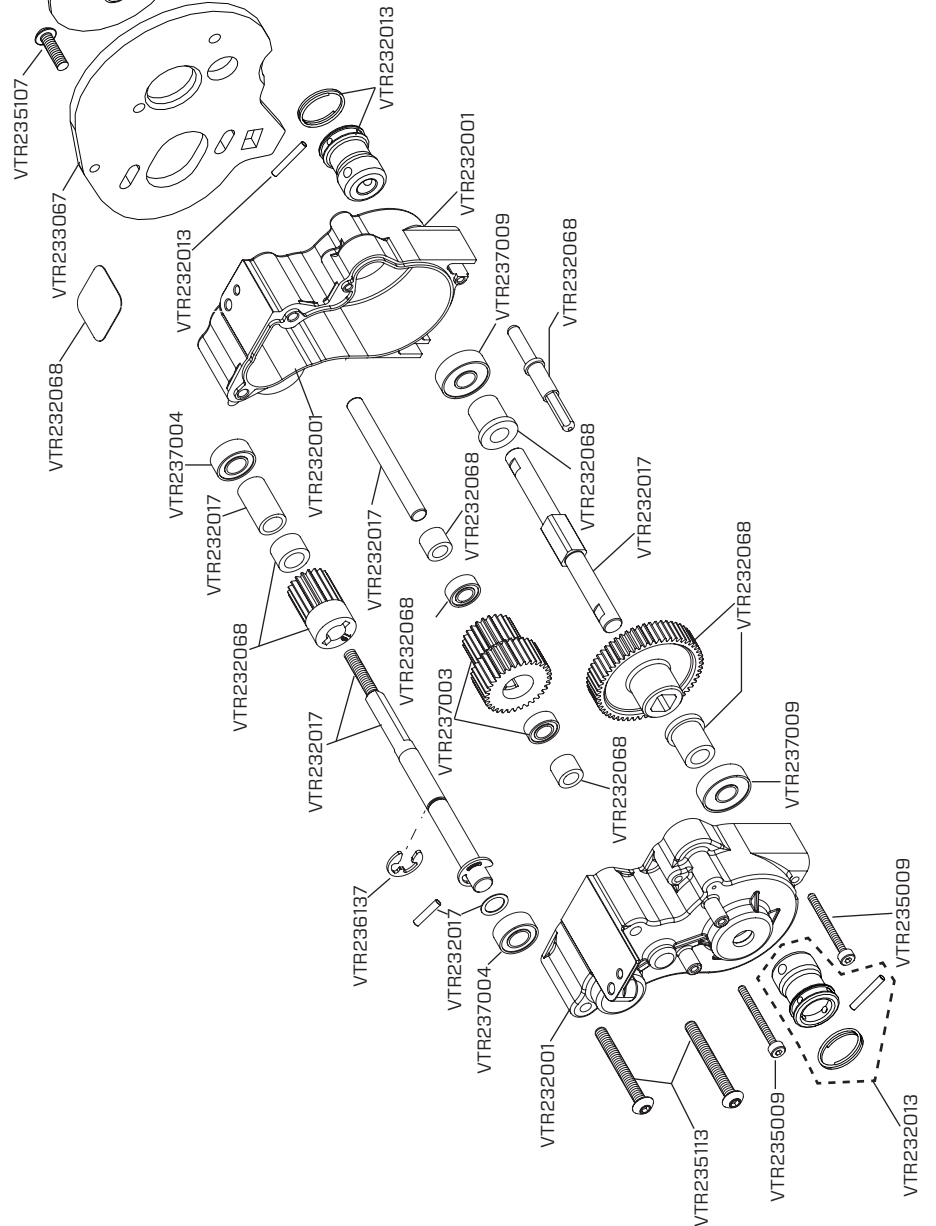
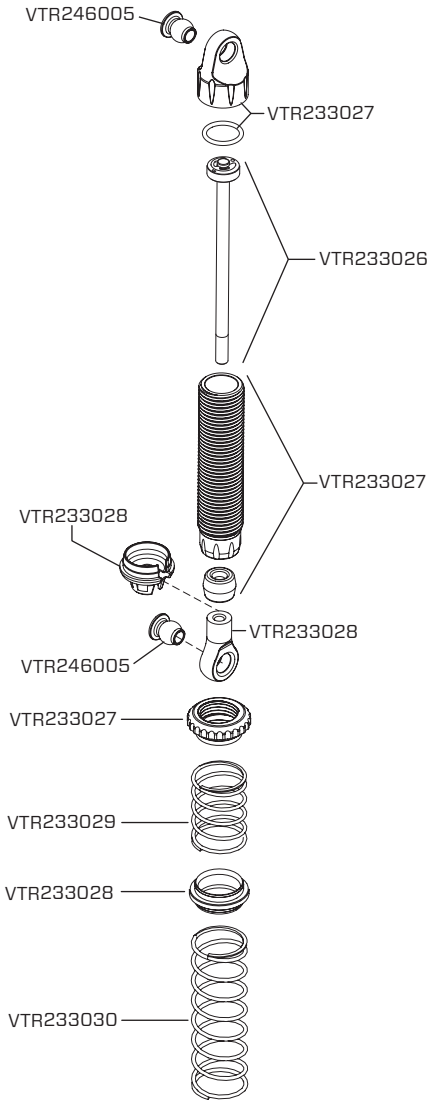
REAR ASSEMBLY
HECK BEAUMONTAGE
TRAIN ARRIÈRE
GRUPPO POSTERIORE



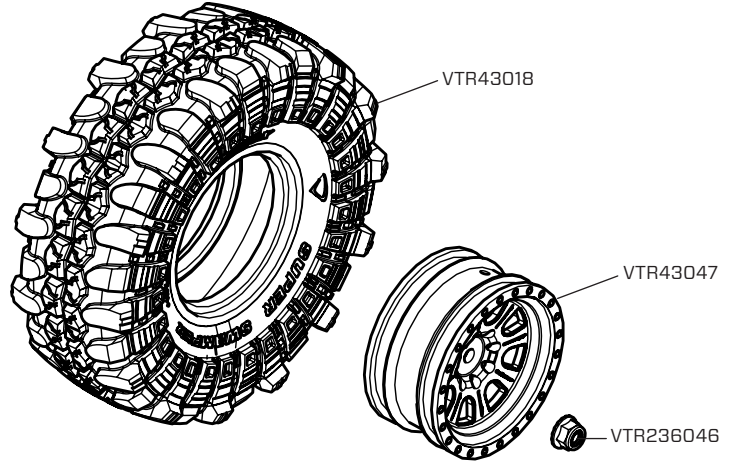
**TRANSMISSION ASSEMBLY
MONTAGE GETRIEBE
ASSEMBLAGE DE LA TRANSMISSION
ASSEMBLAGGIO TRASMISSIONE**



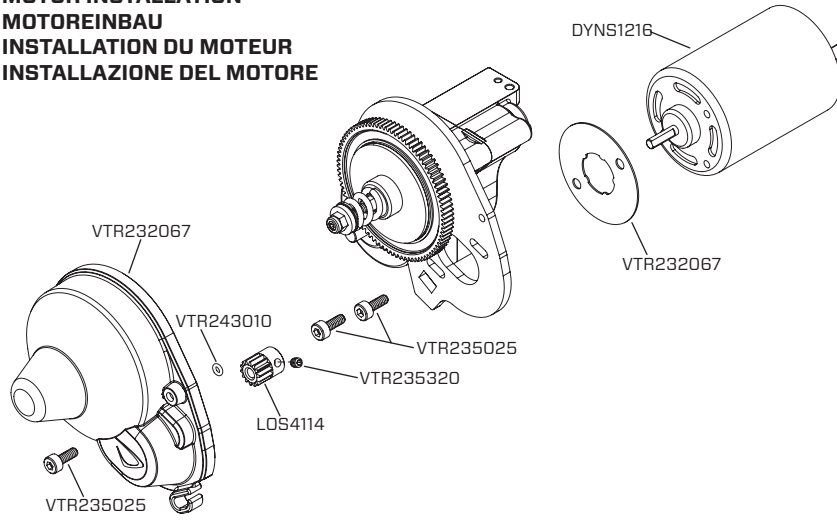
**SHOCK ASSEMBLY
STÖßDÄMPFER MONTAGE
ASSEMBLAGE D'UN AMORTISSEUR
GRUPPO AMMORTIZZATORE**



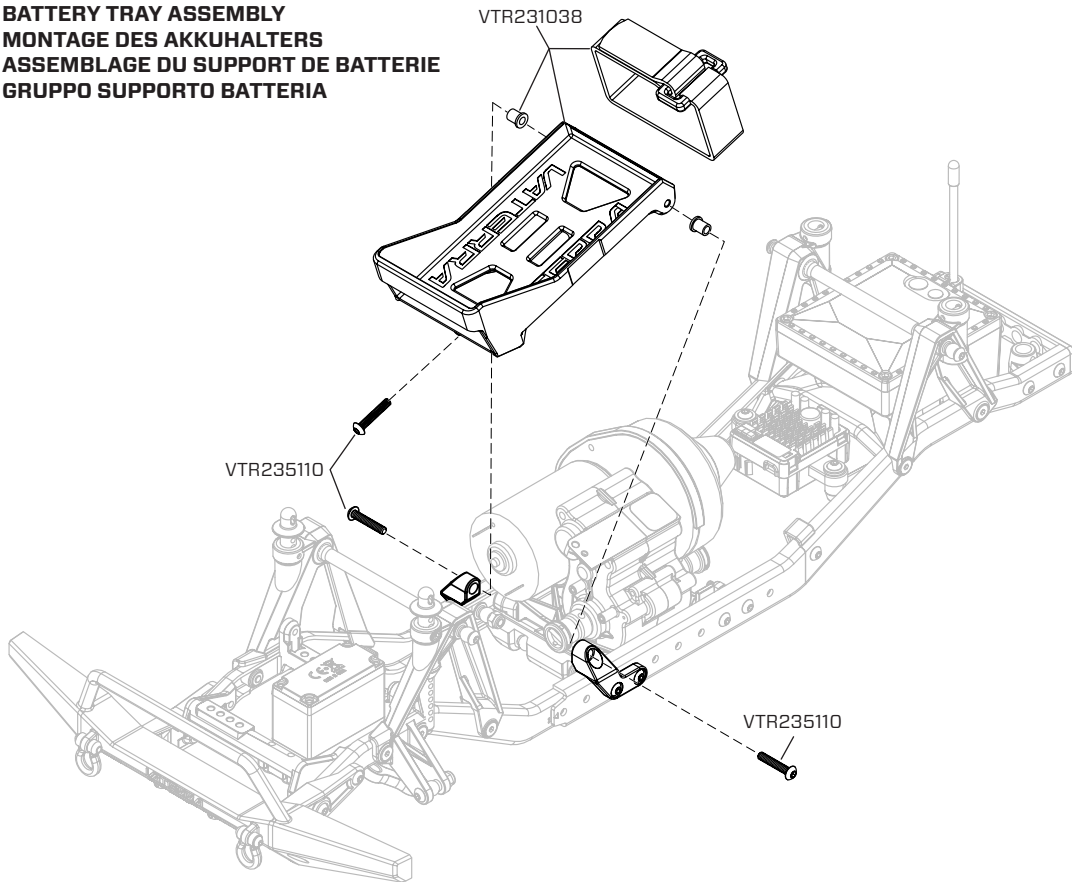
**WHEEL AND TIRE ASSEMBLY
MONTAGE FELGEN UND REIFEN
MONTAGE DU PNEU SUR LA JANTE
ASSEMBLAGGIO CERCHI E GOMME**



**MOTOR INSTALLATION
 MOTOREINBAU
 INSTALLATION DU MOTEUR
 INSTALLAZIONE DEL MOTORE**



**BATTERY TRAY ASSEMBLY
 MONTAGE DES AKKUHALTERS
 ASSEMBLAGE DU SUPPORT DE BATTERIE
 GRUPPO SUPPORTO BATTERIA**



**CHASSIS
CHASSIS
CHÁSSIS
TELAIO**

